

M-227 DC-Mike High-Resolution Linear Actuator Non-Rotating Tip, Long Stroke to 50 mm



Ordering Information

- M-227.10**
High-Resolution DC-Mike Linear Actuator, 10 mm
- M-227.25**
High-Resolution DC-Mike Linear Actuator, 25 mm
- M-227.50**
High-Resolution DC-Mike Linear Actuator, 50 mm
- M-219.10**
Ball Tip
- P-855.20**
Piezo Actuator for Micrometer Drive

- Travel Ranges 10, 25 and 50 mm
- Min. Incremental Motion to 0.05 μm
- Non-Rotating Tip
- Closed-Loop DC-Motors
- Sub-nm Resolution with Optional PZT Drive
- MTBF >5,000 h

M-230 (see p. 1-46 ff), M-235 (see p. 1-50 ff) and M-238.

M-227 are ultra-high-resolution linear actuators providing linear motion up to 50 mm with sub-micron resolution in a compact package. They consist of a micrometer with non-rotating tip, driven by a closed-loop DC-motor/gearhead combination with motor-shaft-mounted high-resolution encoder. The combination of an extremely low stiction/friction construction and high-resolution encoder allows for a minimum incremental motion of 50 nanometers at speeds up to 1 mm/sec.

Compact, High-Precision, Cost-Effective

M-227 actuators provide a cost-effective solution for industrial and OEM environments.

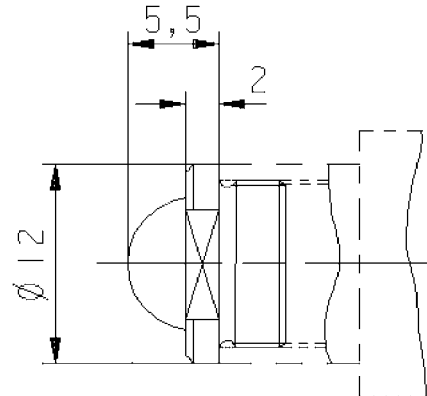
Integrated Line Drivers

All actuators include an integral 0.5 m cable with 15-pin sub-D connector and come with a 3 m extension cable. On the DC servo versions, the connector features integrated line drivers for cable lengths up to 10 meters between actuator and controller.

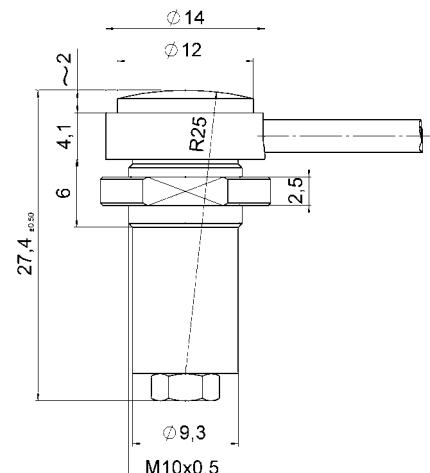
High-Resolution Piezo Option

All models come with standard flat tips. A variety of other tips are also available, such as a piezoelectric tip featuring 20 μm travel with sub-nanometer resolution for dynamic scanning and tracking see p. 1-73 and 1-58.

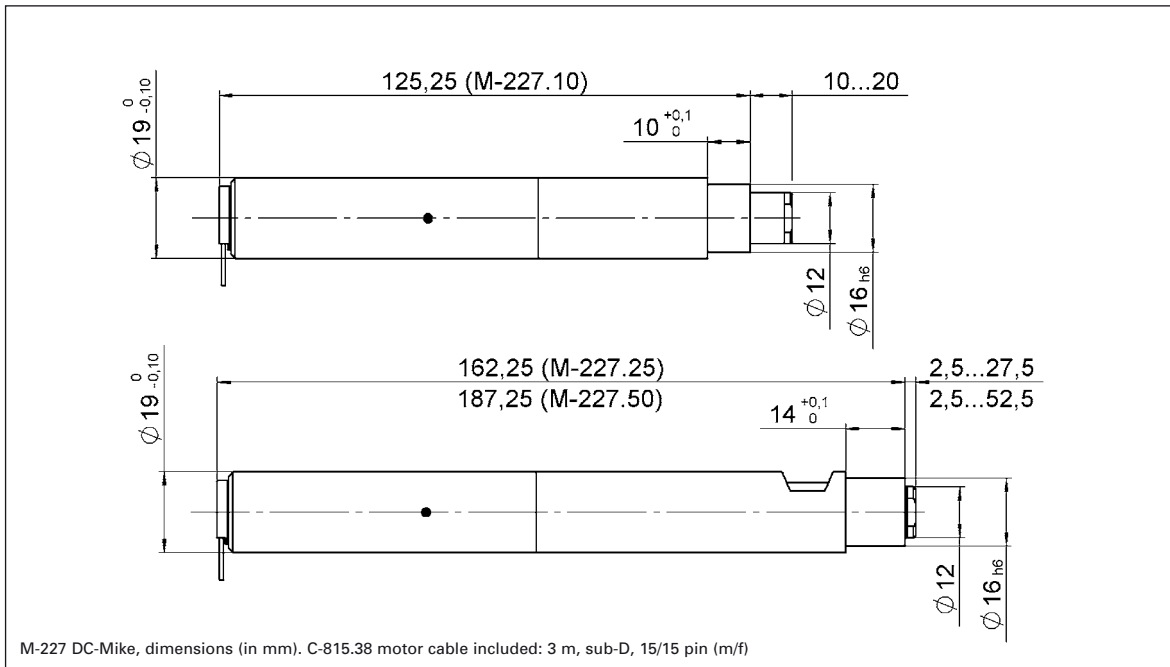
For higher loads and integrated limit switches refer to the



M-219.10 ball tip option



P-855.20 piezo tip option


Linear Actuators & Motors

PiezoWalk® Motors / Actuators

PILine® Ultrasonic Motors

DC-Servo & Stepper Actuators

Piezo Actuators & Components

Guided / Preloaded Actuators

Unpackaged Stack Actuators

Patches/Benders/Tubes/Shear..

Nanopositioning / Piezoelectrics

Nanometrology

Micropositioning

Index

Technical Data

Model	M-227.10	M-227.25	M-227.50	Units
Active axes	X	X	X	
Motion and positioning				
Travel range	10	25	50	mm
Integrated sensor	Rotary encoder	Rotary encoder	Rotary encoder	
Sensor resolution	2048	2048	2048	Cts./rev.
Design resolution	0.0035	0.0035	0.0035	µm
Min. incremental motion	0.05	0.05	0.05	µm
Backlash	2	2	2	µm
Unidirectional repeatability	0.1	0.1	0.1	µm
Max. velocity	0.75	0.75	0.75	mm/s
Mechanical properties				
Drive screw	Leadscrew	Leadscrew	Leadscrew	
Thread pitch	0.5	0.5	0.5	mm
Gear ratio	69.12:1	69.12:1	69.12:1	
Max. push/pull force	40	40	40	N
Max. lateral force	0.1	0.1	0.1	N
Drive properties				
Motor type	DC-motor, gearhead	DC-motor, gearhead	DC-motor, gearhead	
Operating voltage	0 to ±12	0 to ±12	0 to ±12	V
Electrical power	1.25	1.25	1.25	W
Miscellaneous				
Operating temperature range	-20 to +65	-20 to +65	-20 to +65	°C
Material	Al (anodized), steel	Al (anodized), steel	Al (anodized), steel	
Mass	0.16	0.22	0.26	kg
Cable length	0.1	0.1	0.1	m
Connector	15-pin sub-D connector	15-pin sub-D connector	15-pin sub-D connector	
Recommended controller/driver	C-863 single-axis C-843 PCI-board, for up to 4 axes	C-863 single-axis C-843 PCI-board, for up to 4 axes	C-863 single-axis (see p. 4-114) C-843 PCI-board, for up to 4 axes (see p. 4-120)	

*Higher forces on request