

P-111 – P-151

PICA™-Shear Piezo Actuators—Compact Multiaxis Motion



- Compact Multiaxis Actuators
- X, XY, XZ and XYZ Versions
- High Resonant Frequencies
- Extreme Reliability >10⁹ Cycles
- Picometer-Resolution / Sub-Millisecond Settling Time
- Optional Ultra-High-Vacuum-Compatible Versions to 10⁻⁹ hPa
- Non-Magnetic and Clear Aperture Versions

PICA™-Shear series multi-axis piezo actuators are made only by PI Ceramic. These devices are extremely compact and feature sub-nanometer resolution and ultra-fast response. They are available in a variety of geometries providing displacements to 10 μm.

High Stiffness under High Duty Cycles

PICA™-Shear actuators exhibit high stiffness, both parallel

and perpendicular to the motion direction. Based on the piezoelectric shear effect, PICA™-Shear X and XY actuators show almost twice the displacement amplitudes of conventional piezo actuators at the same electric field. Consequently they can be made smaller and have higher resonant frequencies. This results in reduced power requirements for a given induced displacement in dynamic X- and Y-axis operation.

Ultra-High Reliability, High Displacement, Low Power Requirements

PICA™ actuators are specifically designed for high-duty-cycle applications. All materials used are specifically matched for robustness and lifetime. Endurance tests proved consistent performance even after billions (1,000,000,000) of cycles. The combination of high displacement and low electrical capacitance provides for excellent dynamic behavior with reduced driving power requirements.

Flexibility: PI Ceramic's Strength

All manufacturing processes at PI Ceramic are set up for flexibility. Should our standard actuators not fit your application, let us provide you with a custom design. Our engineers will work with you to find the optimum solution at a very attractive price, even for small quantities. Some of our custom capabilities are listed below:

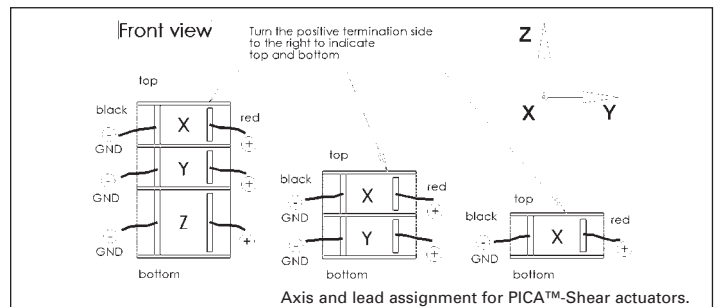
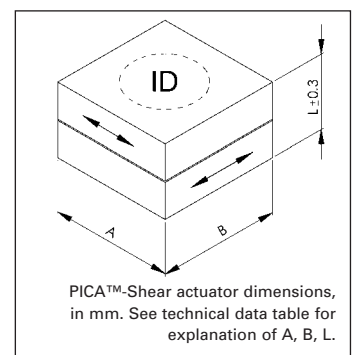
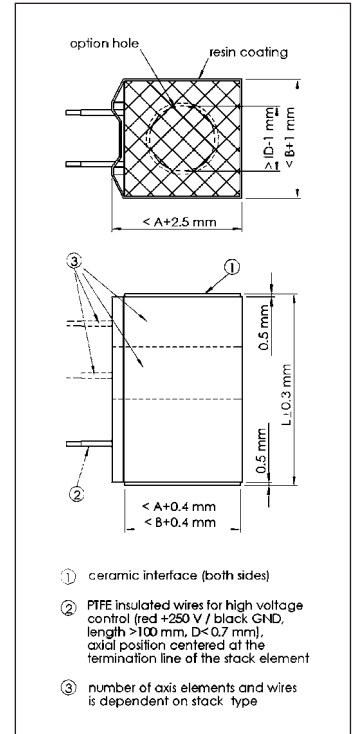
- Optional Vacuum Versions to 10⁻⁹ hPa
- Non-Magnetic Designs
- Clear Aperture
- Custom Endplates (Alumina, Glass, ...)
- Extra-Tight Length Tolerances, to 0.02 mm
- Optical Surface Quality
- Custom Geometries
- Custom Displacement
- Custom Load / Force Ranges
- Low-Temperature Designs, Down to Liquid-He
- Combination with Piezoelectric Shear Sensors (no Pyroelectric Effect)

Short Leadtime for Standard & Custom Designs

Because all piezoelectric materials used in PICA™ actuators are manufactured at PI Ceramic, leadtimes are short and quality is outstanding. All standard and custom PICA™ actuators are delivered with performance test sheets.

Amplifiers, Drivers & Controllers

The E-507.36 amplifier module (page 6-23) is recommended for operation of PICA™-Shear actuators.



Technical Data / Product Order Numbers

Order number	Active axes	Displacement [μm] -10/+20% @ -250 to 250 V	Cross section A x B / ID [mm]	Length L [mm] ±0.3	Max. shear load [N]	Axial stiffness [N/μm]	Capacitance [nF] ±20%	Resonant frequency [kHz]
P-111.01	X	1*	3 x 3	3.5	20	70	0.5	330
P-111.03	X	3*	3 x 3	5.5	20	45	1.5	210
P-111.05	X	5	3 x 3	7.5	20	30	2.5	155
P-121.01	X	1*	5 x 5	3.5	50	190	1.4	330
P-121.03	X	3*	5 x 5	5.5	50	120	4.2	210
P-121.05	X	5	5 x 5	7.5	40	90	7	155
P-141.03	X	3*	10 x 10	5.5	200	490	17	210
P-141.05	X	5	10 x 10	7.5	200	360	28	155
P-141.10	X	10	10 x 10	12	200	230	50	100
P-151.03	X	3*	16 x 16	5.5	300	1300	43	210
P-151.05	X	5	16 x 16	7.5	300	920	71	155
P-151.10	X	10	16 x 16	12	300	580	130	100
P-112.01	XY	1 x 1*	3 x 3	5	20	50	0.5 / 0.5	230
P-112.03	XY	3 x 3*	3 x 3	9.5	10	25	1.5 / 1.5	120
P-122.01	XY	1 x 1*	5 x 5	5	50	140	1.4 / 1.4	230
P-122.03	XY	3 x 3*	5 x 5	9.5	40	70	4.2 / 4.2	120
P-122.05	XY	5 x 5	5 x 5	14	30	50	7 / 7	85
P-142.03	XY	3 x 3*	10 x 10	9.5	200	280	17 / 17	120
P-142.05	XY	5 x 5	10 x 10	14	100	190	28 / 28	85
P-142.10	XY	10 x 10	10 x 10	23	50	120	50 / 50	50
P-152.03	XY	3 x 3*	16 x 16	9.5	300	730	43 / 43	120
P-152.05	XY	5 x 5	16 x 16	14	300	490	71 / 71	85
P-152.10	XY	10 x 10	16 x 16	23	100	300	130 / 130	50
P-123.01	XYZ	1 x 1 x 1*	5 x 5	7.5	40	90	1.4 / 1.4 / 2.9	155
P-123.03	XYZ	3 x 3 x 3*	5 x 5	15.5	10	45	4.2 / 4.2 / 7.3	75
P-143.01	XYZ	1 x 1 x 1*	10 x 10	7.5	200	360	5.6 / 5.6 / 11	155
P-143.03	XYZ	3 x 3 x 3*	10 x 10	15.5	100	170	17 / 17 / 29	75
P-143.05	XYZ	5 x 5 x 5	10 x 10	23	50	120	28 / 28 / 47	50
P-153.03	XYZ	3 x 3 x 3*	16 x 16	15.5	300	450	43 / 43 / 73	75
P-153.05	XYZ	5 x 5 x 5	16 x 16	23	100	300	71 / 71 / 120	50
P-153.10	XYZ	10 x 10 x 10	16 x 16	40	60	170	130 / 130 / 230	30
P-153.10H	XYZ	10 x 10 x 10	16 x 16 / 10	40	20	120	89 / 89 / 160	30
P-151.03H	X	3*	16 x 16 / 10	5.5	200	870	30	210
P-151.05H	X	5	16 x 16 / 10	7.5	200	640	49	155
P-151.10H	X	10	16 x 16 / 10	12	200	460	89	100

* Tolerances ±30%

Unloaded (longitudinal) resonant frequency measured at 1 V_{ppr}, capacitance at 1 V_{ppr}, 1 kHz.

Standard PZT ceramic type: PIC 255.

Operating voltage range: -250 V to +250 V

Operating temperature range: -20 to +85 °C

Standard mechanical interface (top & bottom): ceramic plates

Available options: integrated piezo sensor, non-magnetic, UHV, low temperature, clear aperture, vacuum, etc.

Other specifications on request.

Piezo Actuators

Nanopositioning & Scanning Systems

Active Optics / Steering Mirrors

Tutorial: Piezo-electrics in Positioning

Capacitive Position Sensors

Piezo Drivers & Nanopositioning Controllers

Hexapods / Micropositioning

Photonics Alignment Solutions

Motion Controllers

Ceramic Linear Motors & Stages

Index