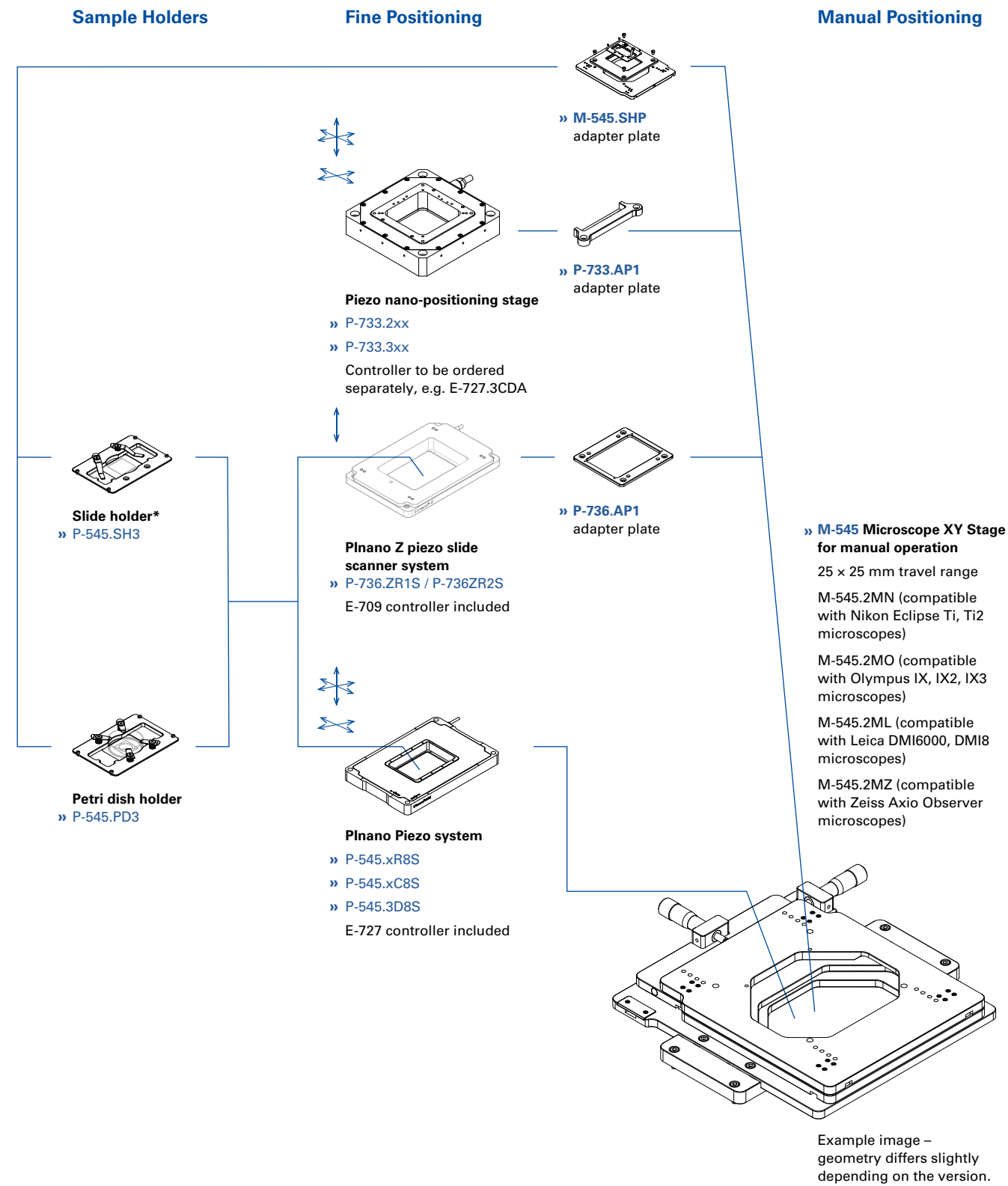


M-545 Microscope XY Stage for Manual Operation



* Optionally available: P-545.Cxx Coverslip holder for 18x18 / 22x22 / 25x25 mm coverslips

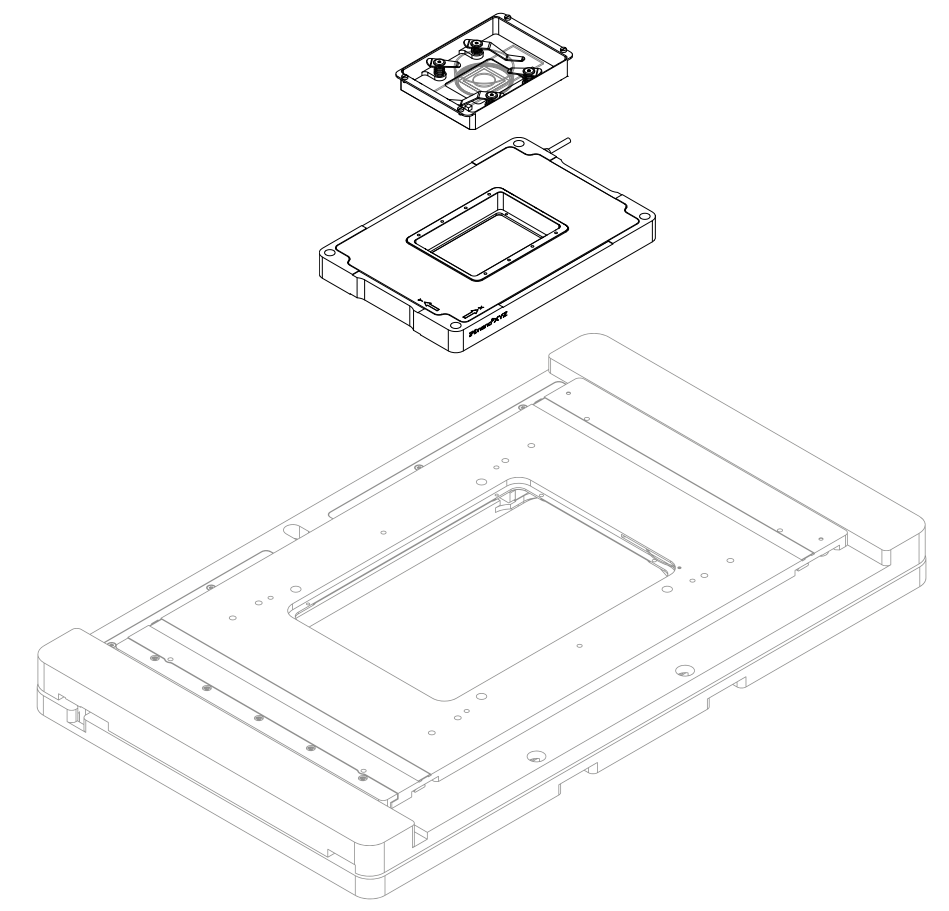


www.physikinstrumente.com

Follow us on:

© Physik Instrumente (PI) SE & Co. KG. All contents, including texts, graphics, data etc., as well as their layout, are subject to copyright and other protective laws. Any copying, modification or redistribution in whole or in parts is subject to a written permission of PI. Although the information in this document has been compiled with the greatest care, errors cannot be ruled out completely. Therefore, we cannot guarantee for the information being complete, correct and up to date. Illustrations may differ from the original and are not binding. PI reserves the right to supplement or change the information provided without prior notice.

BRO70E PI - Microscopy Stage Configurator 3/2025, 0.2. Subject to change without notice. © Physik Instrumente (PI) SE & Co. KG 2025



Microscope Stage Configurator

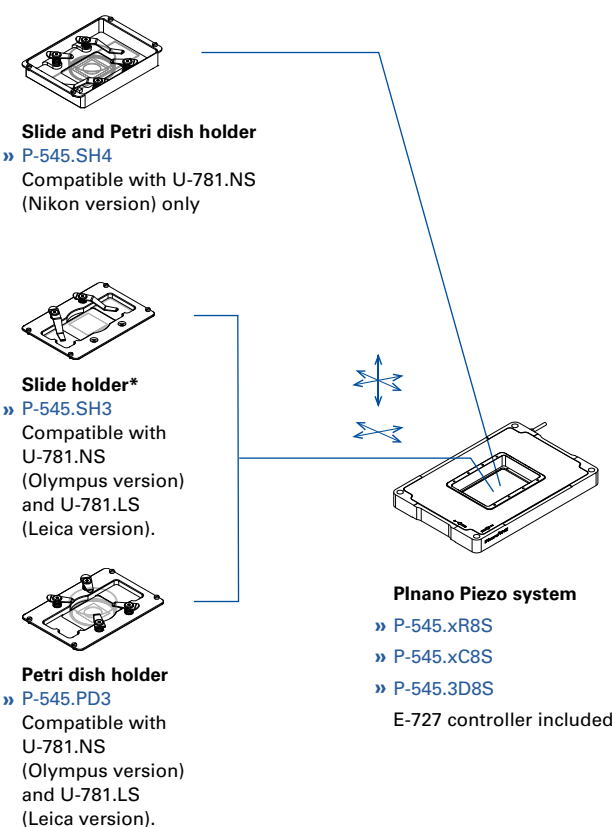
SAMPLE STAGES AND HOLDERS FOR INVERTED MICROSCOPES

Precision Positioning is the Key Element in Microscopy

For inverted microscopes precise positioning of the sample is a must for accurate results. Sample holders and fine positioning stages have to match perfectly. This is a simple task with our configurator. Start with the coarse positioner and follow the lines to the matching fine positioner and / or sample holder.

Please note: Always use automatic lens lowering when changing lenses.

Sample Holders Fine Positioning



XY Positioning

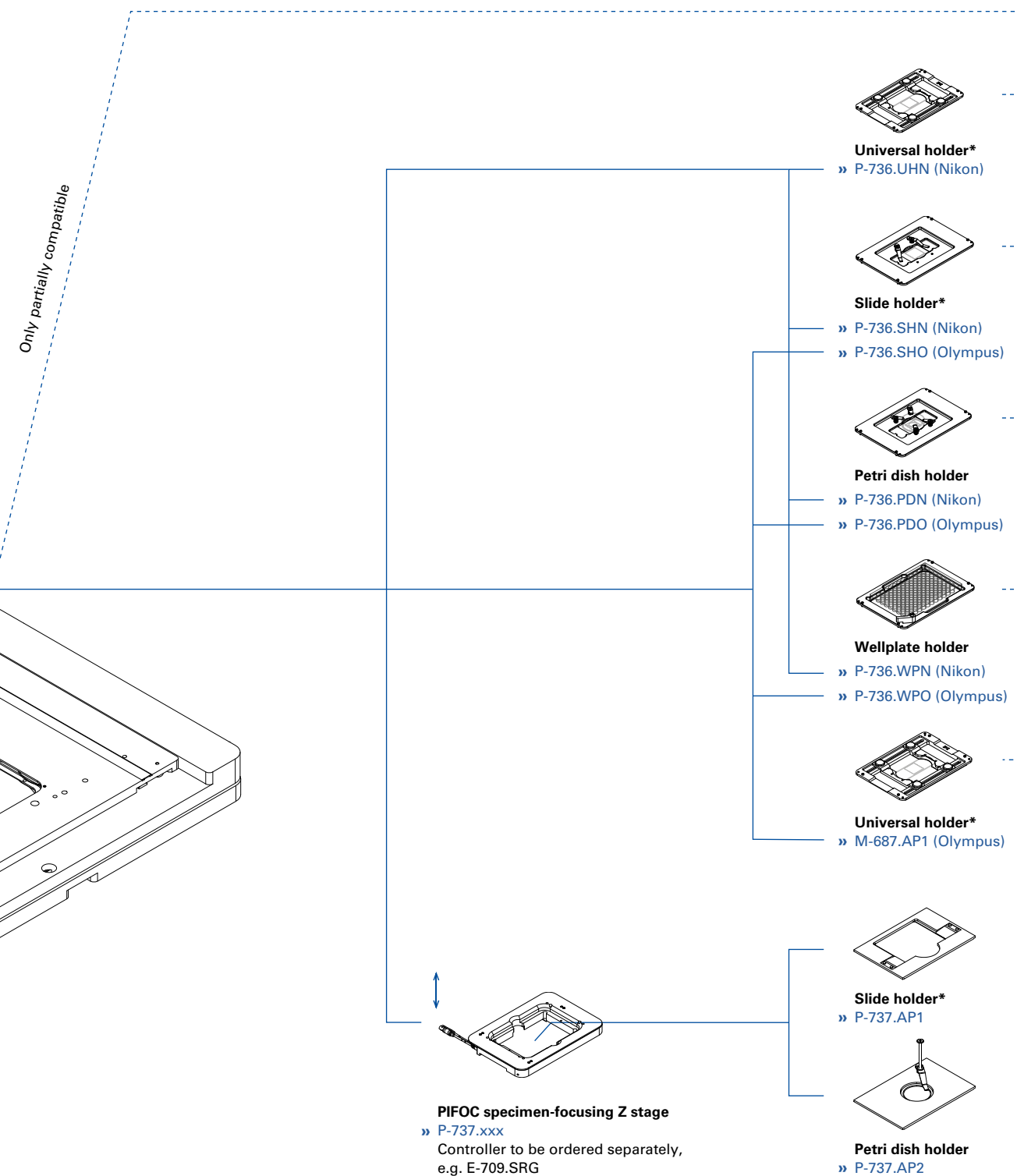
- » **U-781 XY Stage System**
U-781.NS (compatible with Nikon Eclipse Ti, Ti2 microscopes)
U-781.OS (compatible with Olympus IX, IX2, IX3 microscopes)
U-781.LS (compatible with Leica DMI6000, DMI8 microscopes)
U-781.ZS (compatible with Zeiss Axio Observer microscopes)
- The U-781 PILine® systems include the C-867.2U2 piezomotor controller with USB joystick.

Example image – geometry differs slightly depending on the version.

Piezomotor U-781 PILine® XY Stage System with Controller and Joystick

Fine Positioning

Sample Holders

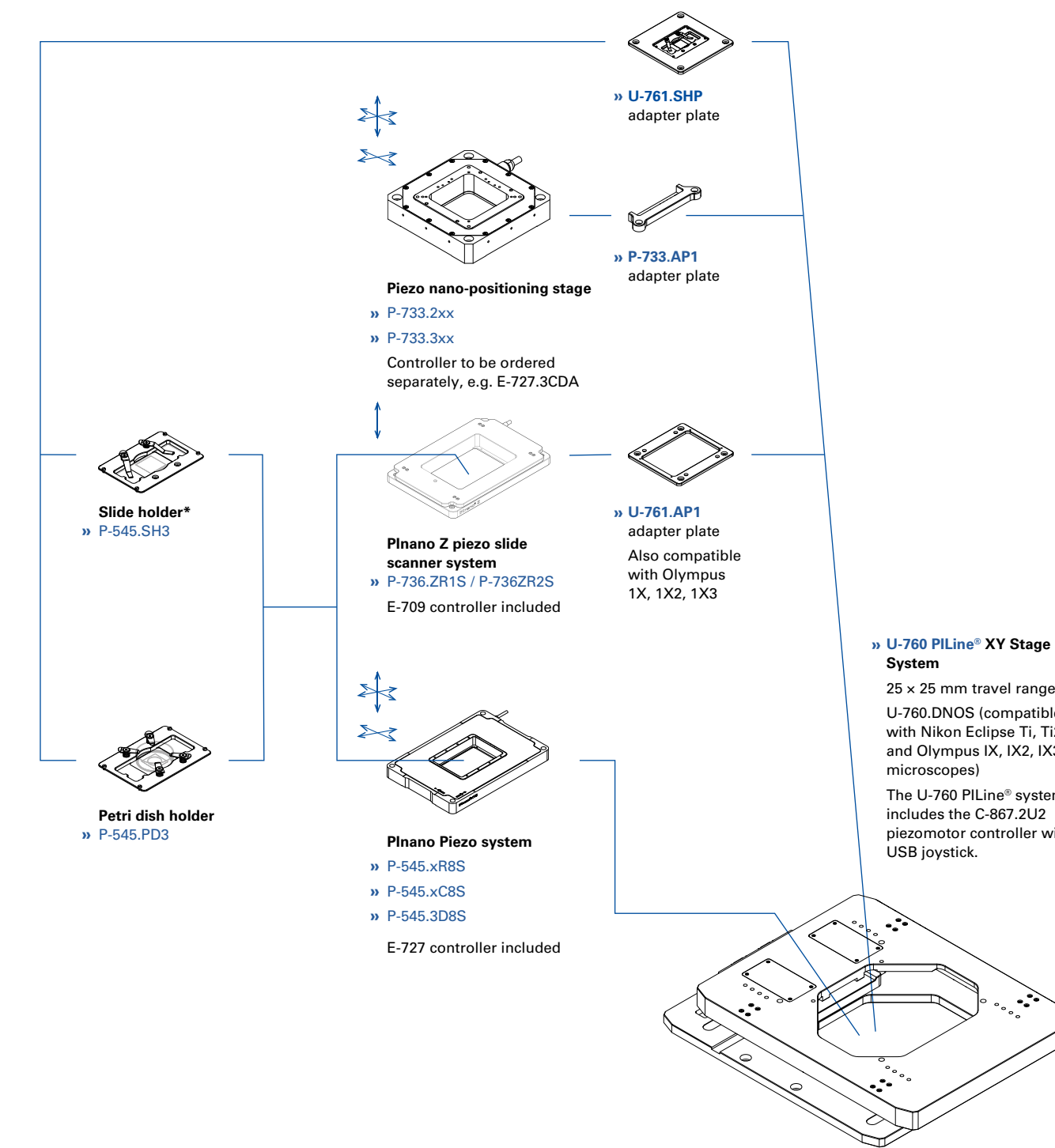


Piezomotor U-760 PILine® XY Stage System with Controller and Joystick

Sample Holders

Fine Positioning

XY Positioning



*Optionally available: P-545.Cxx Coverslip holder for 18x18 / 22x22 / 25x25 mm coverslips